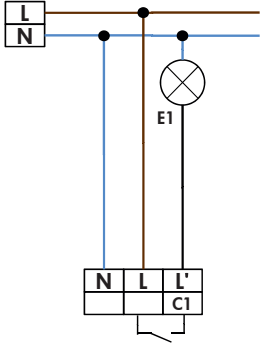
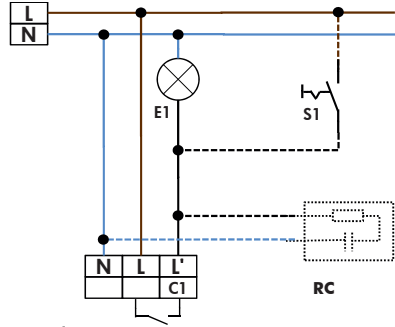


8. Wiring diagrams

Standard mode with 1-channel motion detector

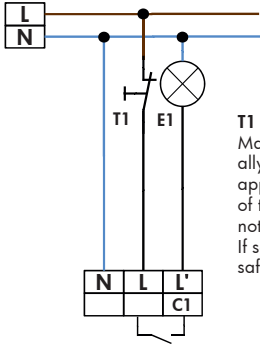


Standard mode with 1-channel motion detector with permanent light function



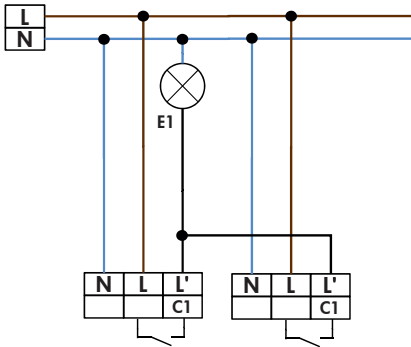
optional:
S1 = switch for permanent light
RC = RC-suppression kit if required

Standard mode with 1-channel motion detector with NC pushbutton

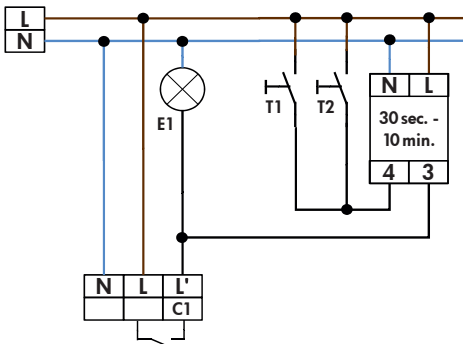


T1 = NC button
Manual switching additionally possible (press opener approx. 2 sec.). The position of the potentiometers should not be on "test" or "sun". If so, the pre-set time and safety values get lost

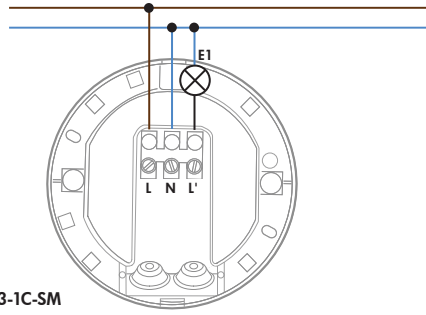
Parallel connection with 1-channel motion detectors



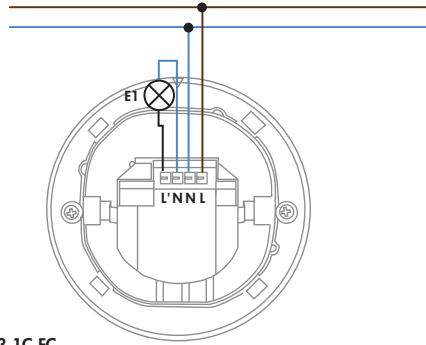
Standard mode with 1-channel motion detector (e.g. stairs)



9. PD3-1C - Connections



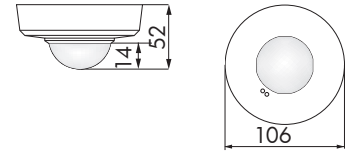
PD3-1C-SM



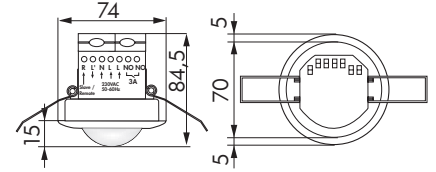
PD3-1C-FC

10. PD3-1C - Dimensions

PD3-1C-SM



PD3-1C-FC



11. Installation examples

