

B.E.G. LUXOMAT® AL1

Installation and Operating Instruction for B.E.G.-AL1 automatic light

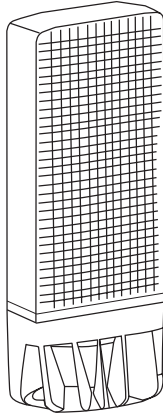
1. Mounting preparations

The automatic light LUXOMAT® AL1 is a consistent addition to the automatic light switch range LUXOMAT® for those cases where there is no lamp or where the existing lamp is to be replaced by an automatic lamp. The attractive design also permits the use as a representative or decorative lamp.

Suitable for indoors and outdoors.

How the automatic light works:

Every person has a body temperature and consequently radiates (invisible) heat. If someone moves within the sensing range of the automatic light, its highly sophisticated sensor-electronic system triggers a switching operation that automatically switches on the lamp.



After a preselectable time of between 4 secs and 10 mins, the lamp switches off again automatically. A built-in light sensor permits permanent readiness for switching by day and night or by night only.

Applications:

outdoor, lighting of house and home, cellar, stairs, garages, staircases, halls, passages, offices etc.

Electromagnetic Compliance (EMV):

When positioned within the direct vicinity of high powered radio transmitting equipment (e.g. portable phones, H.A.M., Taxi, police, fire, ambulance radio operators etc.) false activation switching may be experienced. However, this influence will not damage the sensor electronics. The automatic switching of the sensor will be switched off as soon as the source of radio interference stops transmitting.

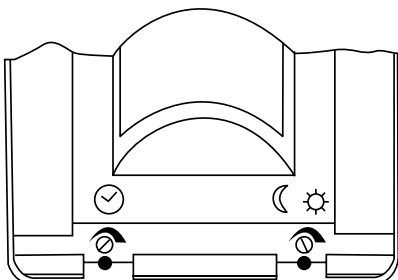
4. Settings

Easy to adjust, because the operating elements are accessible from the outside.

Important:

First, however, remove the protective grating as in detail 1.

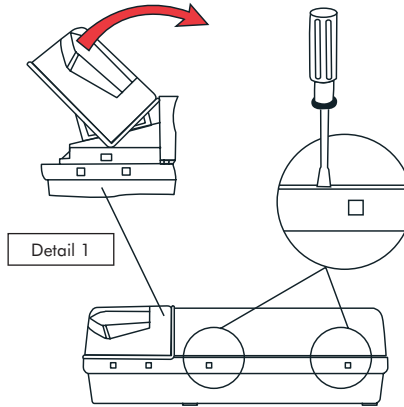
- The knob is marked with the clock symbol. Adjust short times up to 4 secs anticlockwise, long times up to 10 mins clockwise. Left stop means shortest time, right stop means longest time. For day/night operating.
- The sun symbol for day and night or to the moon symbol for night operation. The intermediate range can be used for different degrees of brightness.
- Protected against its own light, i.e. the light switched on by the automatic light does not influence the sensor (dimmer switch).
- Additional terminal to connect optional lamps or other electrical loads, up to a maximum of 1000VA. Also suitable for switching fluorescent lamps (but no lamps that are compensated in parallel).



2. Installation

To remove the transparent cover:

Carefully insert a wide screw-driver into the recesses on the sides of the trough. DO NOT TURN, but slightly tilt the screw-driver outwards to the side, the trough fastening will then open automatically. Proceed in the same way on all four recesses. See detail 1.

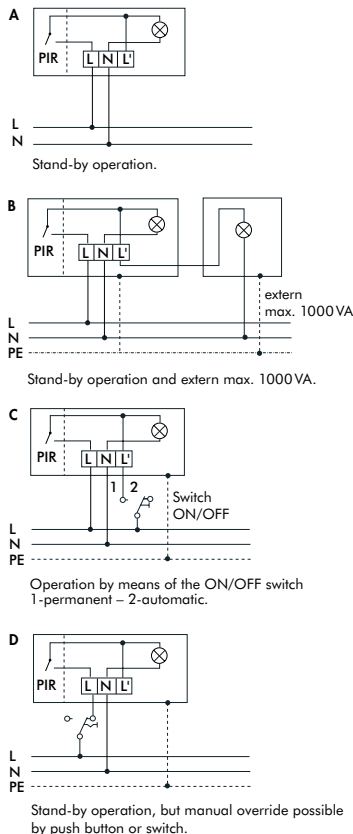


To fasten the lamp:

First remove the transparent trough. For fastening use two of the three pre-stamped fastening holes (two in the upper zone of the lamp and one in the connecting zone, close the earth terminal). Push or drill up the used holes accordingly.

Screws, plugs and sealing rings (two sets) for mounting are enclosed. Before the electrical connection the current-carrying PVC cables must be lined with the enclosed flexible silicon tubes to avoid a deterioration of the insulation caused by heat.

5. Wiring diagrams

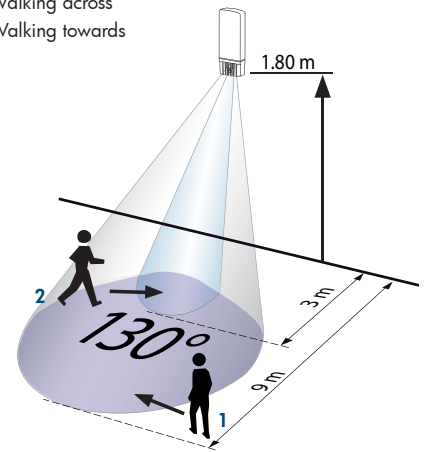


3. Range

The range can be adjusted according to the table below by means of the corresponding mounting height.

Mounting height [m]	Average range (approx. figures) [m]
2.50	9.50
2.40	8.50
2.30	7.50
2.20	6.50
2.10	5.50
2.00	4.50
1.90	3.50
1.80	2.50

- 1 Walking across
- 2 Walking towards



6. Technical data

- **Power supply:** 230V +6%/-10%/50Hz
- **Detection area:** vertical, 130°
- **Range (max.):** e.g. 9m by walking across
- **Incandescent lamps:** 60W / E27
- **Time settings:** 4 sec. - 10 min.
- **Light sensor:** e.g. 2 - 1000 Lux
- **Ambient temperature:** -25°C to +50°C
- **Protection:** IP44 / I / CE
- **Dimensions:** L 95 x W 110 x H 315 mm
- **Housing:** UV- and shock-resistant Polycarbonate

7. Article / Part-Nr.

Typ	Colour	Part number
AL1 130	white	91400
AL1 130	brown	91401
AL1 130	black	91402