

## Installation and Operating Instruction for B.E.G. KNX Control device 1-10V 4fold KNX CD-4C

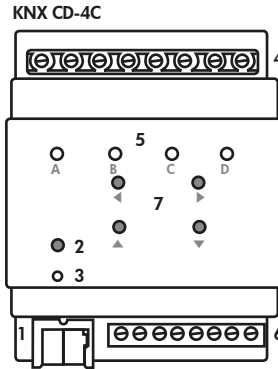
### 1. Important safety notes

Danger High Voltage

- ⚠ Installation and commissioning of the device only to be carried out by authorised electricians/engineers. The relevant directives, regulations and instructions must be observed.
- ⚠ After Installation and connecting mains power supply the outputs are alive. The outputs can be switched OFF using the push buttons on the top of the device.
- ⚠ After installation a KNX bus telegram can switch the outputs alive.
- ⚠ Disconnect the mains power supply prior to installation or disassembly.

### 2. Terminals, Operating and Display Dimming Actuator KNX CD-4C

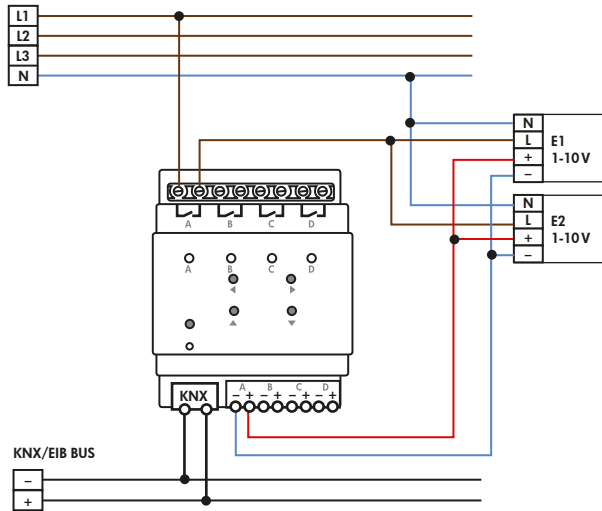
- 1 - KNX bus terminal
- 2 - Programming key
- 3 - Red programming LED
- 4 - Output power terminal
- 5 - Green status LED
- 6 - Output terminals for 1 - 10V
- 7 - Buttons for manual actuation



### 3. Installation Dimming Actuator KNX CD-4C

1. Place the Dimming Actuator on DIN 35 mm rail.
2. Connect the Dimming Actuator to the KNX bus.
3. Wire up the Dimming Actuator as described in the circuit diagram.
4. Switch on KNX power supply.
5. Switch on mains power supply.

#### Typical circuit diagram KNX CD-4C



### 4. Technical Data

<b>Configuration</b>	<b>KNX CD-4C</b>
Number of outputs	4
<b>Power Supply</b>	
Mains voltage	230 VAC
Output voltage	1 - 10 V
<b>Power consumption</b>	< 0.3 W
<b>Current per 1-10V control channel</b>	30 mA
<b>Maximum switching relay</b>	16 A, cosφ=1
<b>Maximum capacitive load</b>	100 μF
<b>Maximum lamp loads</b>	
Incandescent lamps	2700 W
Halogen lamp 230 V	2500 W
Halogen lamp, electronic transformer	1000 W
Halogen lamp not compensated	1800 W
Halogen lamp parallel compensated	1000 W
<b>Permitted wire gauge</b>	
Screw terminal	2.5 mm <sup>2</sup>
KNX bus terminal	0.8 mm
<b>Ambient temperature</b>	0 to +45°C
<b>Enclosure</b>	IP20
<b>Dimensions REG</b>	4TE
<b>Dimensions FM/SM (W x H x D)</b>	72 x 60 x 86 mm

### 5. Description KNX CD-4C

The Dimming Actuator is for switching and dimming for 1 - 10V EBs (such as fluorescent lamps). The switching power is supplied via the relays to the electronic ballasts. The light regulating output is controlled by 1 - 10V to the electronic ballast. The device has integrated short circuit and excess-temperature protection. Softstart function to increase lamp life time.

The Dimming Actuator KNX CD-4C is a din rail installation device for fixed installation in dry rooms. It fits on DIN 35 mm rails in power distribution boards or closed compact boxes.

### 6. Commissioning KNX CD-4C

**Note:** Before commissioning please download application software at [www.beg-luxomat.com](http://www.beg-luxomat.com).

1. Assign the physical address and set parameters with the ETS.
2. Upload the physical address and parameters onto the Dimming Actuator. Press the programming button on request.
3. The red LED would go off upon the completion of the programming process.

### 7. Manually operating KNX CD-4C

1. Select the desired channel with the < > buttons.
2. Use the ^ v buttons to switch the output.

### 8. Status LED KNX CD-4C

**Green LED on:**  
Channel is working

**Green LED off:**  
Channel is off

**Green LED is blinking frequently:**  
Channel is selected

### 9. Device types

At present, the following device types are available from the KNX Dimming Actuators product group:

KNX CD-4C

Part number: 90180