

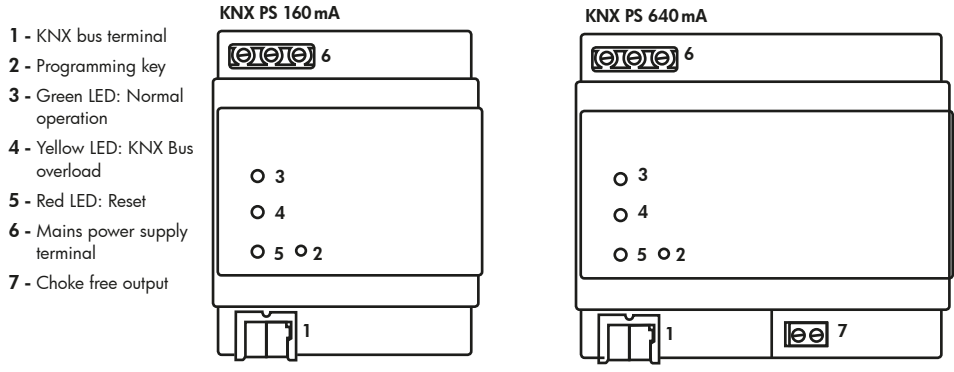
Installation and Operating Instruction for B.E.G. KNX Power Supply KNX PS 160 mA and 640 mA

1. Important safety notes

Danger High Voltage

- ⚠ Installation and commissioning of the device only to be carried out by authorised electricians/engineers. The relevant standards, directives, regulations and instructions must be observed.
- ⚠ After Installation and connecting mains power supply the outputs are alive.
- ⚠ Disconnect the mains power supply prior to installation or disassembly.

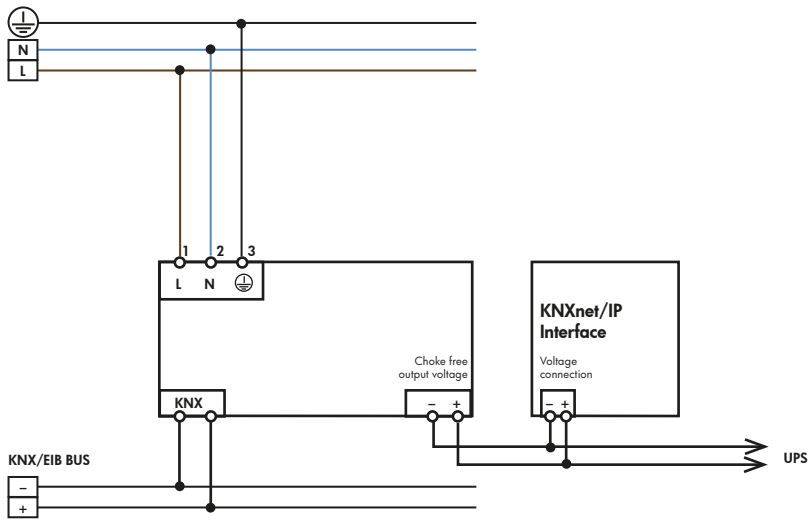
2. Terminals and Display Power Supply KNX PS



3. Installation Power Supply

1. Place the Power Supply on DIN 35 mm rail.
2. Connect the Power Supply to the KNX bus.
3. Wire up the Power Supply as described in the circuit diagram.
4. Switch on mains power supply.

Typical circuit diagram KNX PS 640 mA



4. Technical Data

	KNX PS 160 mA	KNX PS 640 mA
Power Supply		
Mains voltage	230 VAC / 50 Hz	230 VAC / 50 Hz
Output voltage	30 VDC	30 VDC
Choke free output voltage	-	30 VDC
Output current		
Nominal	160 mA	640 mA
Maximal	350 mA	1300 mA
Permitted wire gauge		
Screw terminal	2.5 mm ²	2.5 mm ²
KNX bus terminal	0.8 mm	0.8 mm
Ambiant temperature	0 to +45°C	0 to +45°C
Protection	IP20	IP20
Dimensions REG	4TE	6TE
Dimensions FM/SM (W x H x D)	72 x 60 x 86 mm	108 x 60 x 86 mm

5. Description Power Supply

The KNX/EIB Power Supply with integrated choke produces the stabilized KNX system voltage (30 VDC) to supply the connected KNX/EIB components. Once the fault has been rectified, the Power Supply restarts itself.

Additionally the Power Supply **KNX PS 640 mA** offers a choke free output to connect a battery module. The Power Supply is a din rail installation device for fixed installation in dry rooms. It fits on DIN 35 mm rails in power distribution boards or closed compact boxes.

6. Commissioning Power Supply

The Power supply is ready for operation after connection of the mains power supply.

7. Indication LED Power Supply

1. **Red LED:** Reset of the KNX Bus
2. **Green LED:** Normal operation, no faults
3. **Yellow LED:** KNX bus overload

8. Device types

At present, the following device types are available from the KNX PS product group:

KNX PS 160 mA	Part number: 90211
KNX PS 640 mA	Part number: 90212