

7. Fully / Semi automatic mode

(see DIP switch functions and IR-PD4-TRIO-DALI on page 1)

Automatic operation

In this operating mode, the lighting switches automatically on and off for increased comfort, depending on presence and brightness.

Semiautomatic operation

In this operating condition, in order to gain increased savings, the lighting is energized only after being manually switched on. Switch-off takes place automatically.

The semiautomatic mode basically behaves like the fully automatic one. However, the difference is that switching-on must always be carried out manually!

As many (closer-contact) buttons as desired can be wired in parallel on the "S" button input (ON/OFF DIM).

8. Manual Dimming

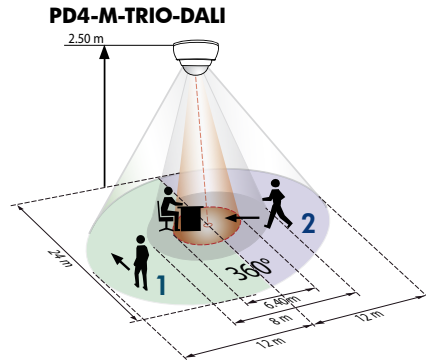
(for IR-PD4-TRIO-DALI functions see page 1)

You can dim manually by pressing the pushbutton for a long time (> 2 sec.). When the button is released, the current dimming value is retained. Upon renewed dimming, the dimming direction is reversed.

9. Manual Switching

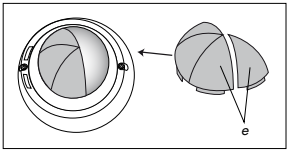
You can switch the lighting on and off manually by pressing the pushbutton for a short time. It will stay on or off as long as people are detected plus the configured follow up time.

10. Range of Coverage



- 1 Walking across
- 2 Walking towards
- 3 Seated

11. Exclude sources of interference



In case the sensing area of the LUXOMAT® PD4-M-TRIO-DALI is too large or areas are being covered that should not be monitored, the range can be reduced or limited through use of the enclosed masking clips (e).

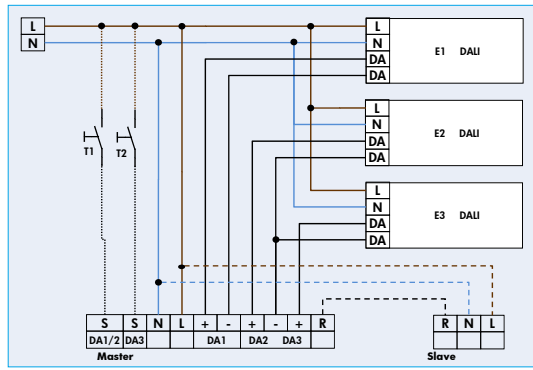
12. Article / Part nr. / Accessory

Type	SM	FC	FM
PD4-M-TRIO-DALI (Master)	92750	92755	-
PD4-S (Slave)	92142	92254	92163

LUXOMAT® Remote control:
IR-PD4-TRIO-DALI (incl. wall bracket) 92104

Accessory:
Wire basket BSK 92199
Wall bracket for remote control as replacement 92100
SM-Socket IP44 for 92730 92386

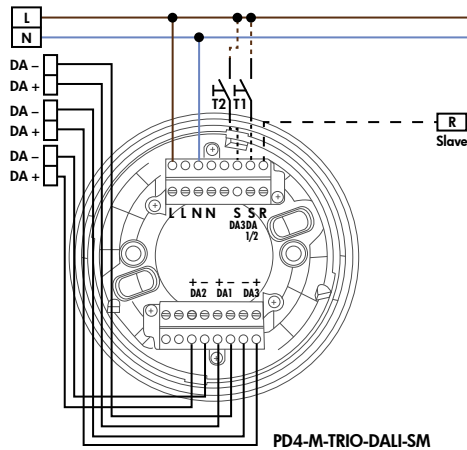
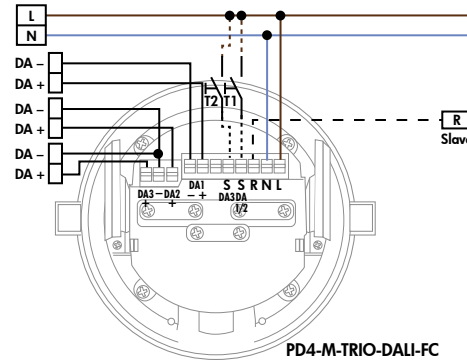
13. Wiring diagram



optional

T1&2 = NO button for semi-automatic mode
Slave for enlargement of detection area

14. PD4-M-TRIO-DALI - Connections



15. Technical data PD4-M-TRIO-DALI

Sensor and power supply in one case
Power supply: 230V~ ±10%
Power consumption: < 1W
Ambient temperature: -25°C to +50°C
Degree of protection / class: IP20 / II
Settings: control dial, DIP switch and remote control

Light values-Remote control: 100 - 1000 Lux
Extension of the detection area: with Slaves
Area of coverage: circular 360°
Range of coverage Ø H 2.50 m / T= 18°C:
 seated 6.40m / tangential 24 m / radial 8 m
Recommended height for mounting: 2 - 3 m
Light measurement: Mixed light, daylight + artificial light

Lux values-Potentiometer: 10 - 1200 Lux
 • DA 1/2 for light switching, light-controlled
 • DA 3 for light switching (panel lighting), light-controlled
 DA 1/2 DALI-BUS regular

Max. numbers of connected EB's:
 each 25 for DA1 and DA2, 10 for DA3
Time-settings: 1 - 60 min. / Test
Dimensions H x Ø [mm] SM FC
 PD4-M-TRIO-DALI 124 x 85 100 x 117
Visible portion when built into ceiling: H 37 x Ø 117 mm

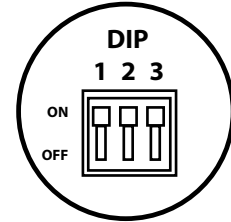
CE Declaration of Conformity: The product complies with the low voltage recommendation 2006/95/EC and the EMV recommendation 2004/108/EC.

WE RECOMMEND THAT BEFORE DIMMING OF THE CONNECTED LIGHTS A 100 h BURN IN (T5 TUBES OR 80 HOURS FOR T8 TUBES) FUNCTION TAKES PLACE. THIS CAN BE IGNORED BY USING THE REMOTE CONTROL TO DEACTIVATE.

THE LIFESPAN OF THE LAMPS CAN BE REDUCED IF THE BURN IN DOES NOT TAKE PLACE.

16. DIP switch functions

DIP switch	OFF	ON
1 (A)	Fully automatic channel DA 1/2 + DA3	Semi-automatic channel DA 1/2 + DA3
2 (B)	For mains ON / light ON	For mains ON / light OFF
3 (C)	Standard operation	RESET



17. LED function displays

LED	Colour	Function	Display
6	red	Motion indicator	Lights up for motion detection
5	green	Light status indicator DA 1	flashes twice per sec.: - bright enough (light OFF)/ too bright (light ON) flashes once per sec.: - Delay time active
4	white	HA/VA DA 1/2	lights when semi-automatic
3	white	HA/VA DA 3	lights when semi-automatic
2	green	Light status indicator DA 2	flashes twice per sec.: - bright enough (light OFF)/ too bright (light ON) flashes once per sec.: - Delay time active
1	red	OFF-function	lights when the feature is activated, ie in the initialization phase the light is off
all LEDs	Acknowledgement	flashes once per sec.: - correct input flashes twice per sec.: - incorrect input flashes three times / once per sec.: - Reset when locked flashes three times / twice per sec.: - Double locked	
all LEDs	Status	flashes shortly once per sec.: - Detector is double locked	

18. Fault-finding

Permanently flashing

Check whether DIP3 switch (RESET) is set to "ON"
 Reset to "OFF" if necessary